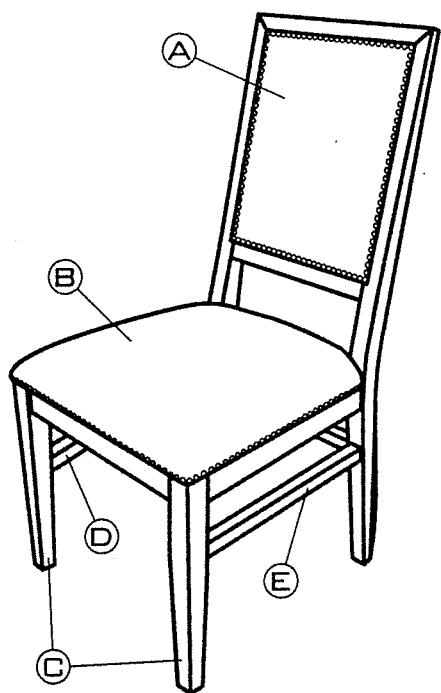


ASSEMBLY INSTRUCTIONS





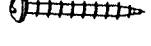


DEXTER SIDE CHAIR



PARTS CHECK LIST

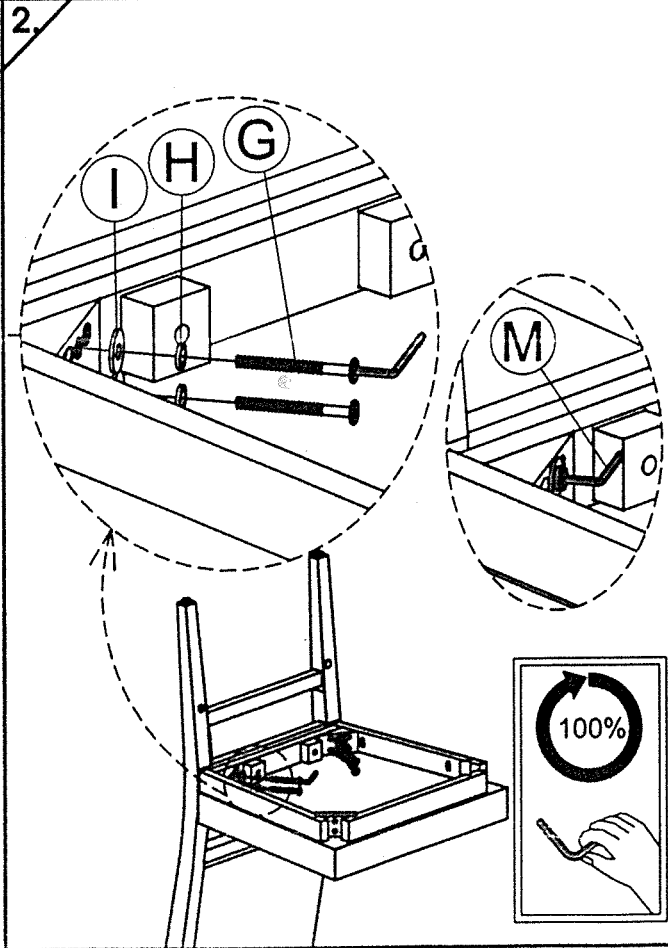
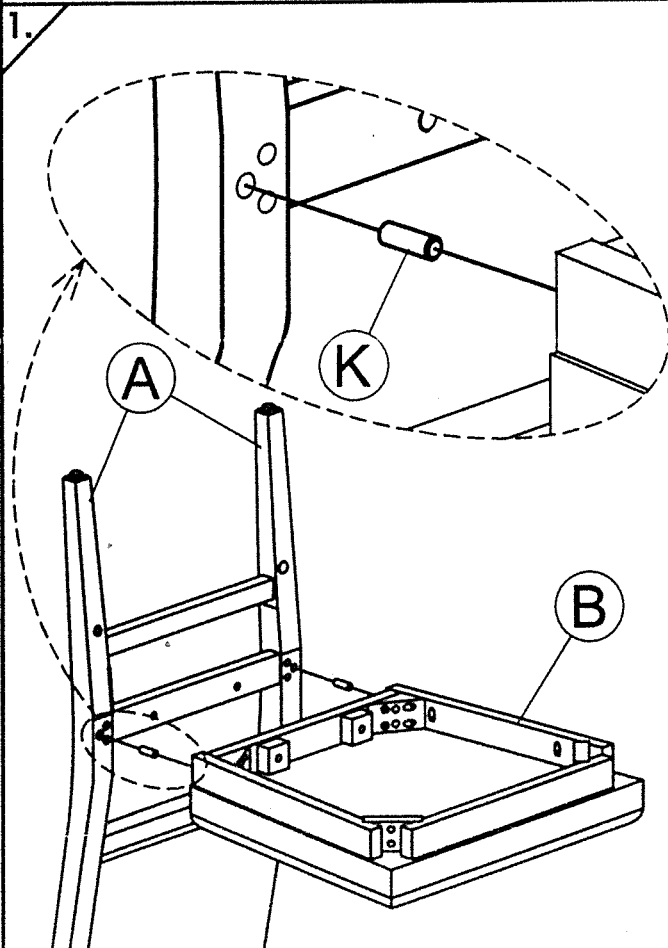
CODE	COMPONENTS	Q'TY
(A)	BACKSTAND	x01
(B)	SEAT FRAME	x01
(C)	FRONT LEG	x02
(D)	LEFT RAIL	x01
(E)	RIGHT RAIL	x01

FITTINGS CHECK LIST

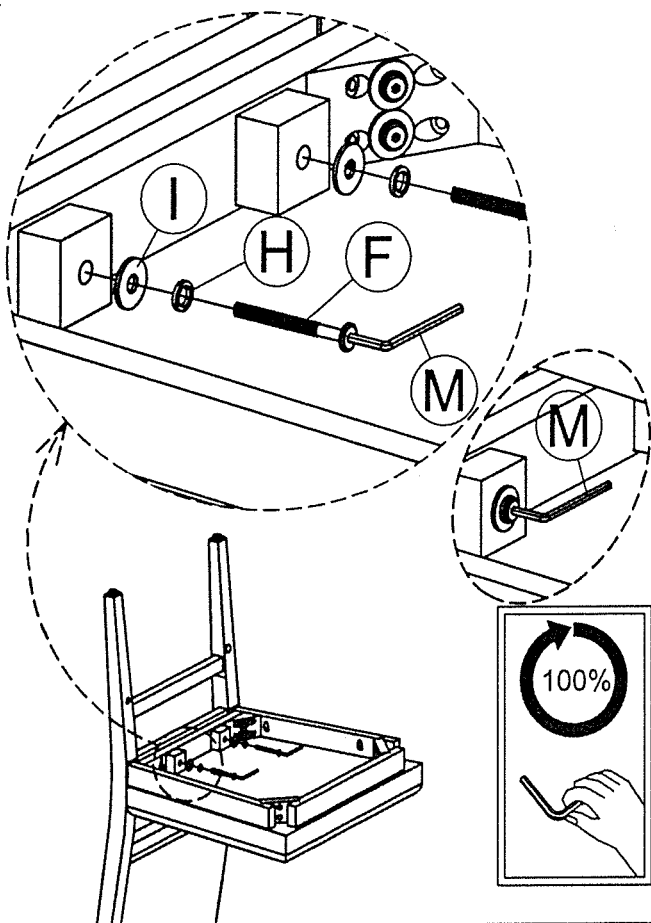
CODE	DESCRIPTION	Q'TY
(F)	SHORT BOLT 	x06
(G)	LONG BOLT 	x04
(H)	SPRING WASHER 	x10
(I)	FLAT WASHER 	x10
(J)	SCREW 	x04
(K)	DOWEL 	x02
(M)	ALLEN KEY 	x01

Please do not discard any of the packaging until you have checked all the parts and the packs of fittings.

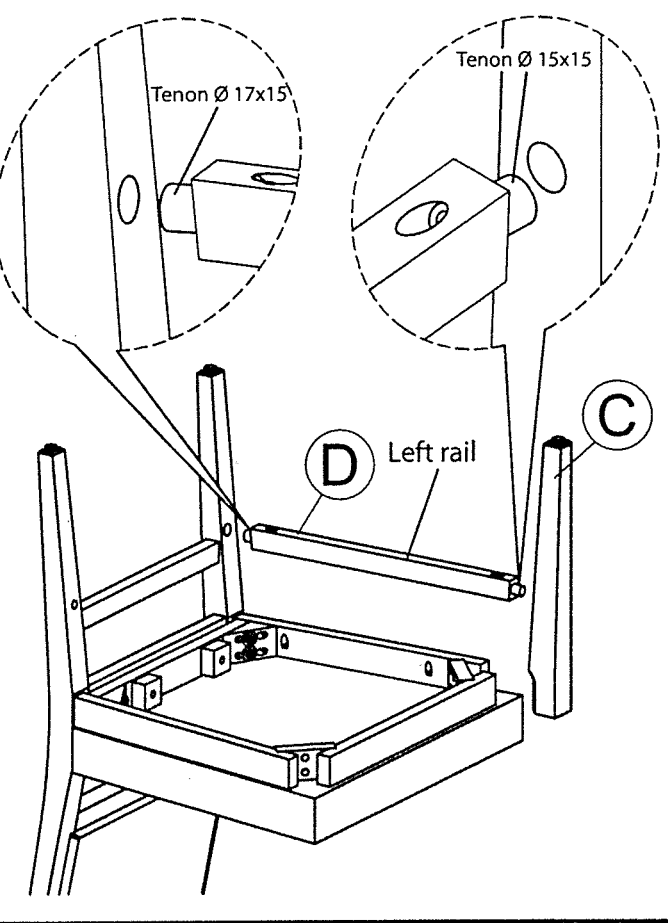
(N) PHILLIPS HEAD SCREWDRIVER
TOOL NEEDED (NOT INCLUDED) 



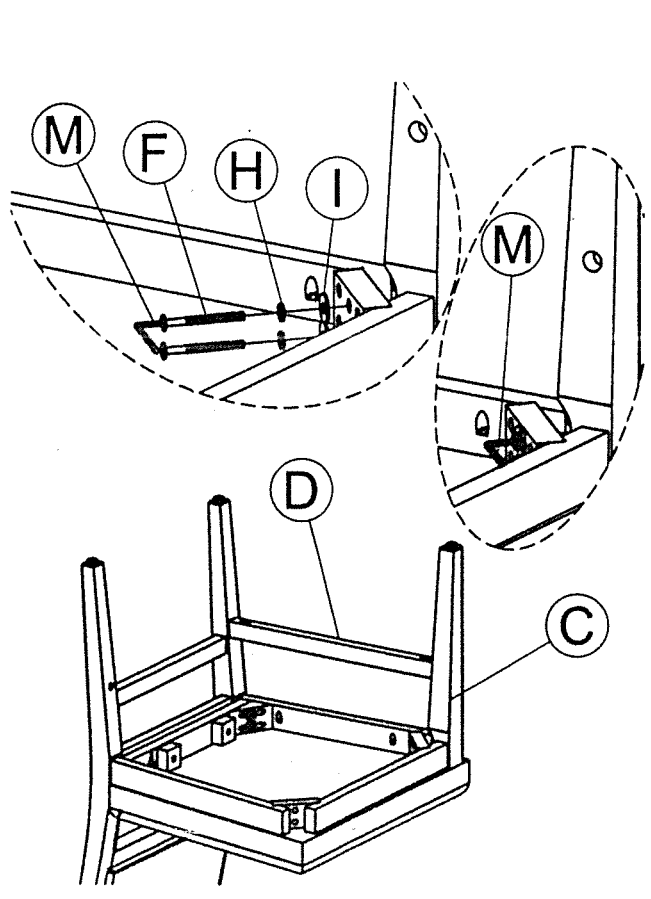
3.



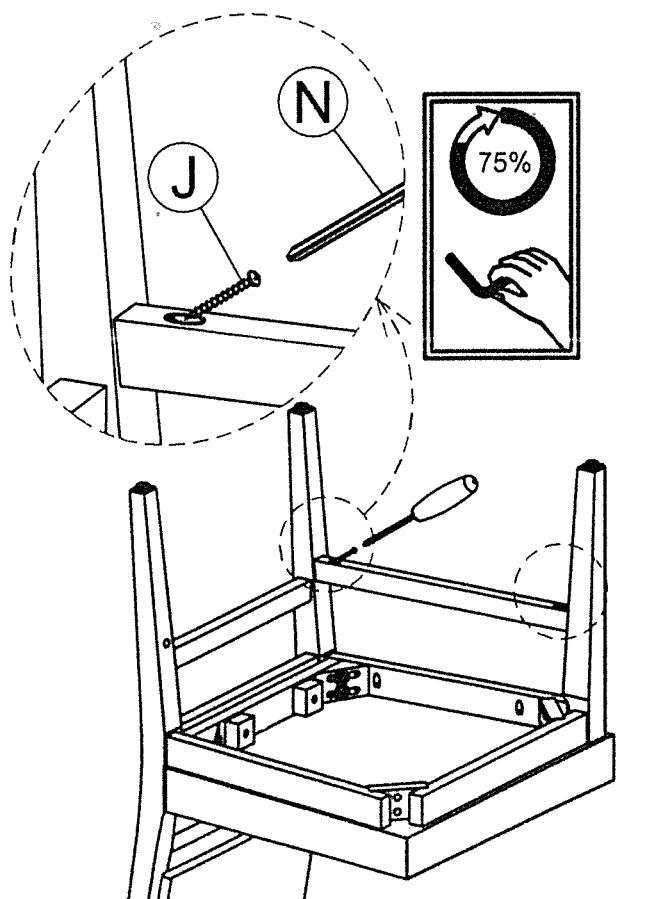
4.



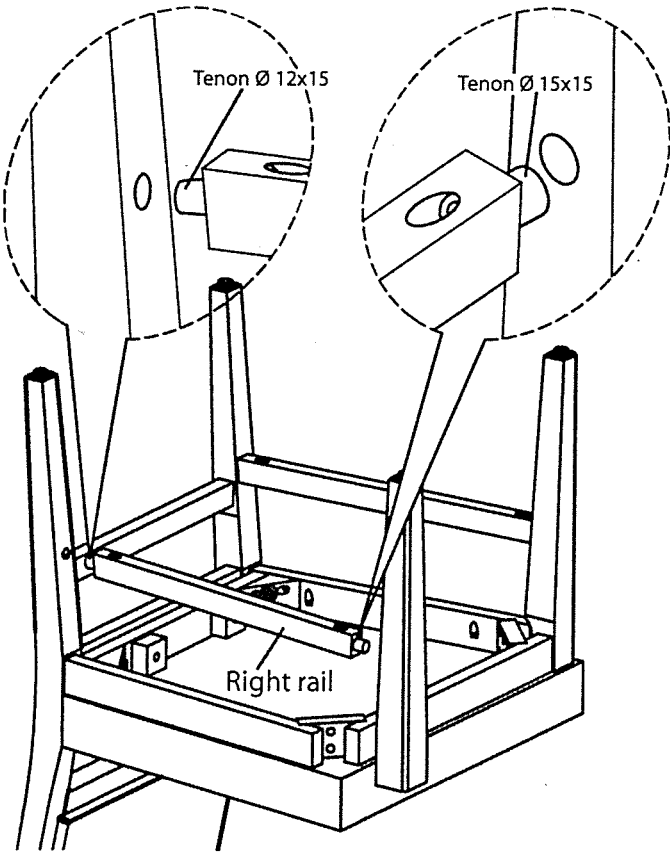
5.



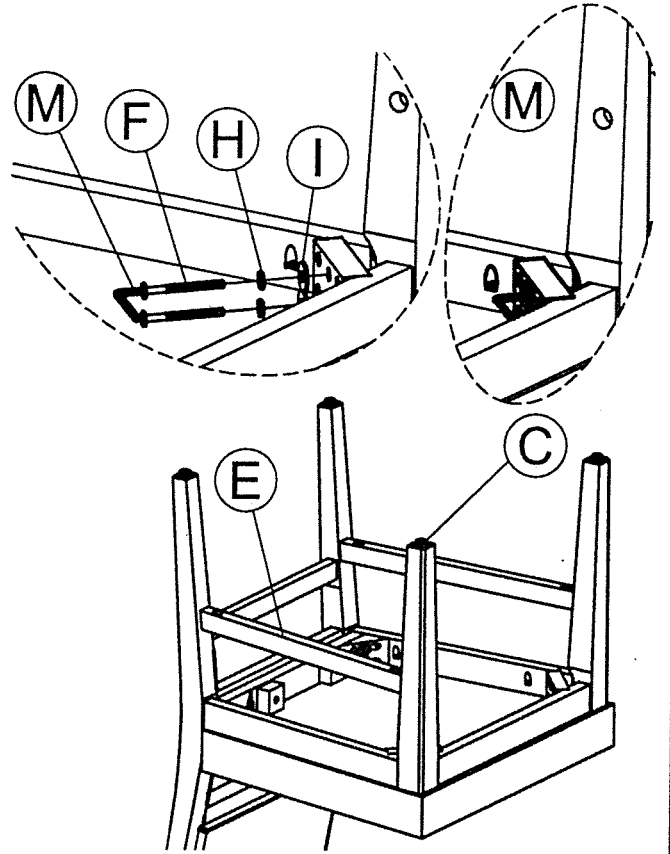
6.



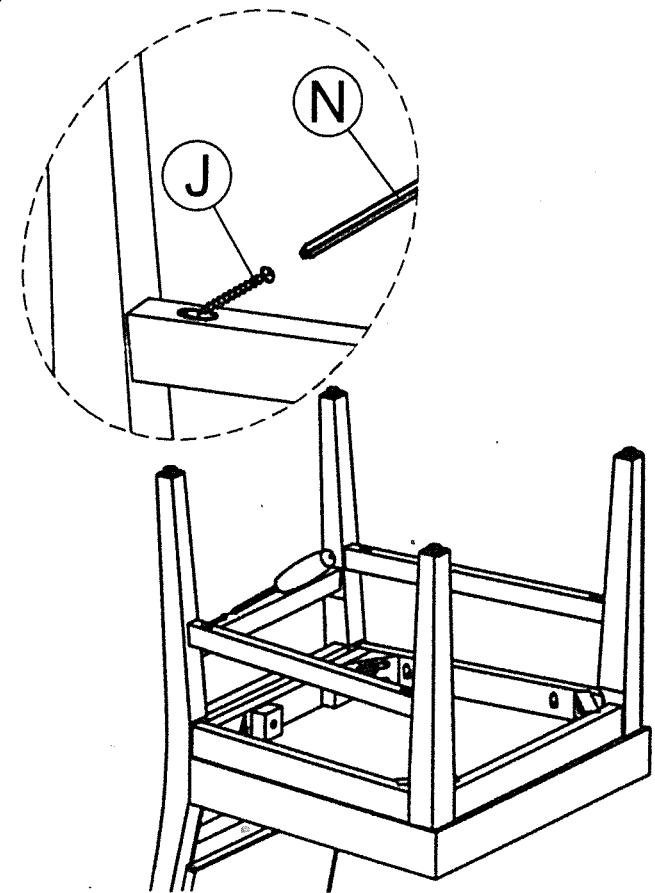
7.



8.



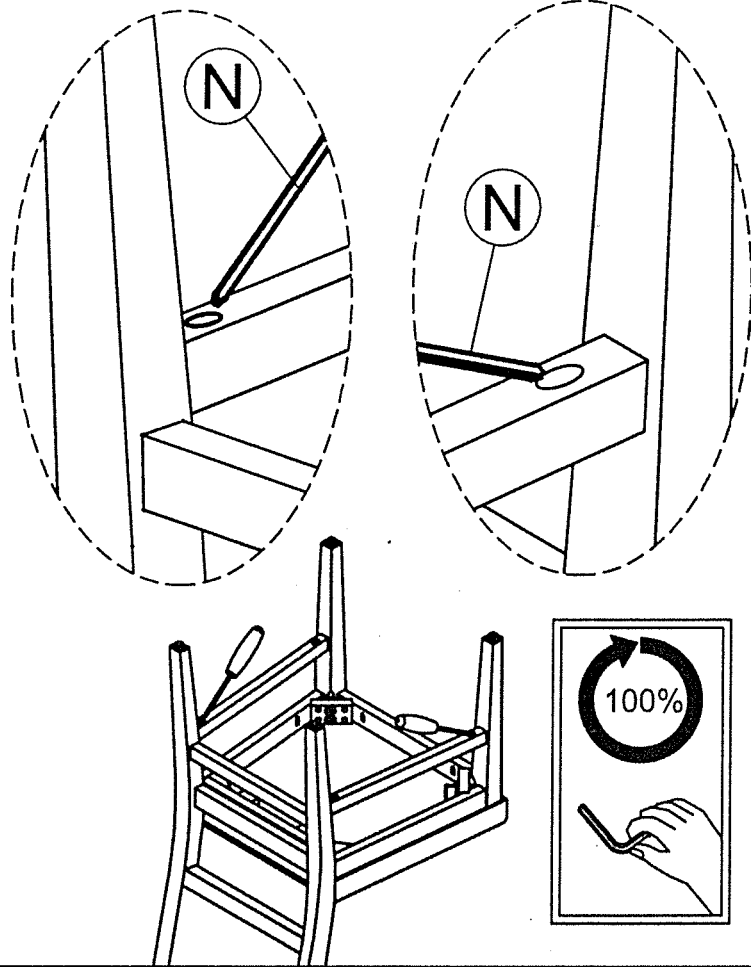
9.



10.



11.



12.

